



VX-PI100

IEEE 802.3af Compatible Power over Ethernet PoE Injector



Product Description

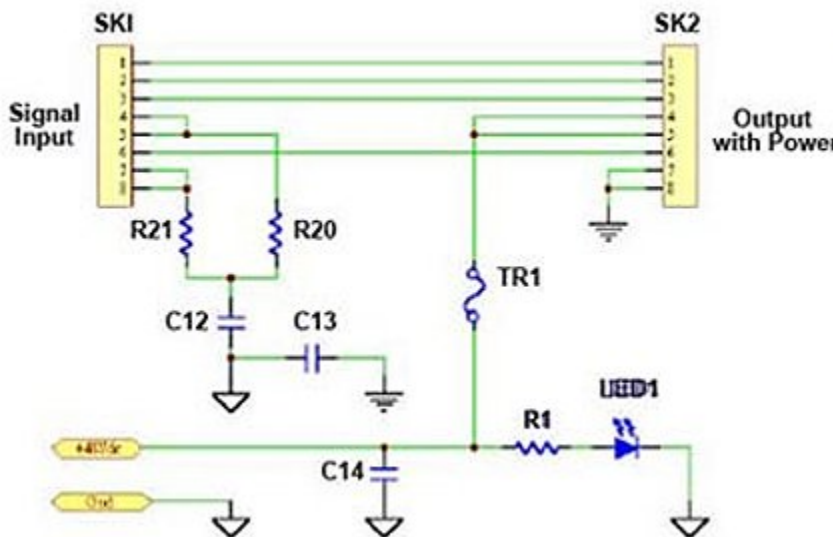
The Versa Technology VX-Pi100 802.3af Compatible 10/100Mbps Power Over Ethernet PoE Injector works with any and all access points that are also 802.3af PoE Compatible. The VX-Pi100 is self contained with both a Power Over Ethernet PoE Injector Adapter and a power supply all in one, this make it much easier to deal with when keeping a clean cable room. The VX-Pi100 also has 100/240VAC support and supplies 48VDC to all units.

The Versa Technology VX-Pi100 Power Over Ethernet PoE Injector Adapter puts Power over pairs 4, 5, 7 and 8. This unit can also be used with Cisco PoE equipment using an altered Pin Out on the RJ-45 Cable. The VX-Pi100 also provides Auto-Recover, Over-Voltage and Short Circuit protection.

Features

- 10/100Mbps
- Cat5/Cat6
- 24 Watts
- Cispr 22'B', Vcci'B', Fcc'B' Compliance
- Light Weight: 145g
- Efficiency Over 75%
- Over-Voltage Protective Installation
- Short-circuit Protective Installation
- Protection Type: Auto-Recover
- Operating Temperature -10°C~55°C

Data_in & P + Data_out Pin Definition



Pin	Input SK1	Output SK2
1	Tx (+)	Tx (+)
2	Tx (-)	Tx (-)
3	Rx (+)	Rx (+)
4	N.C	+48 V
5	N.C	+48 V
6	Rx (-)	Rx (-)
7	GND	GND
8	GND	GND



VX-PI100

IEEE 802.3af Compatible Power over Ethernet PoE Injector

Specifications	
Product	IEEE 802.3af Compatible Power over Ethernet PoE Injector
Model	VX-PI100
Hardware Specification	
Output Voltage	48 V / 24W
Output Rating	0.5 A
Input Voltage	AC 90 ~ 264 V
Input Frequency	47 ~ 63 Hz
Input Current	0.5 A Maximum
Inrush Current	40 A Maximum
Cabling	Cat5 / Cat6
Line Regulation	2% Maximum
Load Regulation	± 5%
Ripple & Noise	1% Typical
Efficiency	83% Typical
Temperature Coefficient	0.05% / °C
Over-Voltage Coefficient	96 V Maximum
Operating Temperature	-10°C ~ 55°C
Storage Temperature	-20°C ~ 85°C
Safety Description	I / P