

VersaXpress-6009 LRT is a 9-port 10/100Base-TX with one Long Reach Ethernet (LRE) uplink to Home switching concentrator. The **VersaXpress-6009LRT** is the best choice for broadband connectivity in small residential campuses and multi-dwelling units because Ethernet represents low equipment cost, high performance, and ease of provisioning. To further the advantage of using **VersaXpress-6009LRT** for broadband connectivity, Long Reach Ethernet product family extends the maximum driving distance of Ethernet from 150m to about 1km for 10BASE-T and 300m for 100BASE-TX without using any repeaters. LRE can be used to deliver high bandwidth to tenants within an office or residential high-rise at the lowest possible cost using existing UTP cabling and without repeaters. And also, the all of the LRE ports are fully compliant with 802.3 standards for 10 Mbps and 100 Mbps networks.

The **VersaXpress-6009 LRT** long reach fast Ethernet switching concentrator provides a cost-effective solution for easing the network congestion problem on existing shared-hub network by breaking up the collision domain and by multiplying the network performance dramatically. The built-in intelligence of configuration allows it to recognize and offer packet prioritization utilizing Network's QoS. Packets are prioritized based upon their Layer 2 VLAN priority tag or the Layer 3 Type-Of-Service (TOS/DS) field. This priority can be defined as transmit and/or drop priority.

The system supports individual and group VLAN with uplink or Concentrator mode, where each of the 0-7 ports is only to directly communicate with the Uplink port 8 (9th Port). This mode ensures that data from any of ports 0-7 cannot be directly seen by another port. This feature is used in applications to provide data privacy to users and enhances security by forcing user-generated packets to be forwarded only to the up-stream port.

The **VersaXpress-6009 LRT** Ethernet switch is the perfect packet switching device for the VoIP Gateway systems, triple play services (including IPTV) over UTP cable and VoIP TA in IP telephony network area applications.



FEATURES

- Eight (8) 10/100BASE-TX UTP ports comply with IEEE 802.3u and 803.3x TX
- One LRE 10/100 Mbps auto negotiating uplink port.
- Proprietary Long Reach extension supporting 10Mbps at 1000M and 100Mbps at 300M over Cat5 Cable
- Automatic crossover for MDI and MDIX.
- Support Mixed voice-data networks
- Full wire-speed layer 2 switch on all ports
- Up to 8 port-based VLANs
- Internal 1k MAC address table
 - Auto address learning
 - Auto address aging
- Leading edge QoS capabilities provided based on 802.1p and IP TOS/DS field
 - 2 Queues per port
 - Packet scheduling based on Weighted Round-Robin (WRR) and Weighted Random Early Detection/Drop (WRED)
 - Without flow control can drop packets during congestion using WRED
 - 2 levels of packet drop provided
- Supports both Full/Half duplex ports
- Support individual and group VLAN with uplink or Concentrator mode that provides data privacy to subscribers, and provides port-based prioritization of packets on up to 4 ports
 - Input ports are defined to be high or low priority
 - Allows explicit identification of IP Phone ports
- Flow control capabilities
 - Provides back pressure for half-duplex
 - 802.3x flow control for full-duplex
- Special power saving mode for inactive ports
- Transmit delay control capabilities and maximum delay guarantee (<1ms)

SYSTEM

Power Supply	90/220 V
Dimension	9.30x3.95x1.03 inch with wall-mount option
Temperature	0 to 50 C
Humidity	5% to 95% non-condensing

US-International Headquarter:

4711 Chino Ave,
Chino, CA 91710

Web: www.versatek.com

Phone: (909) 591-8891

Fax: (909) 591-6962

Email: sales@versatek.com

China Headquarter:

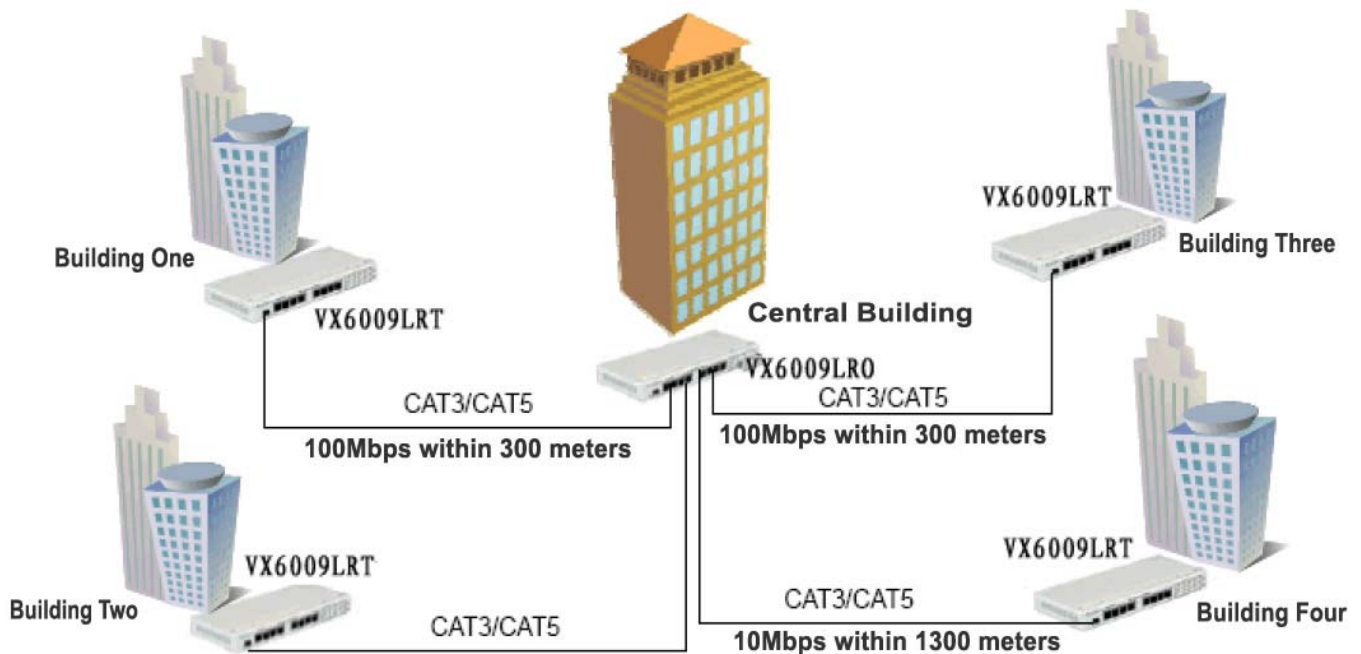
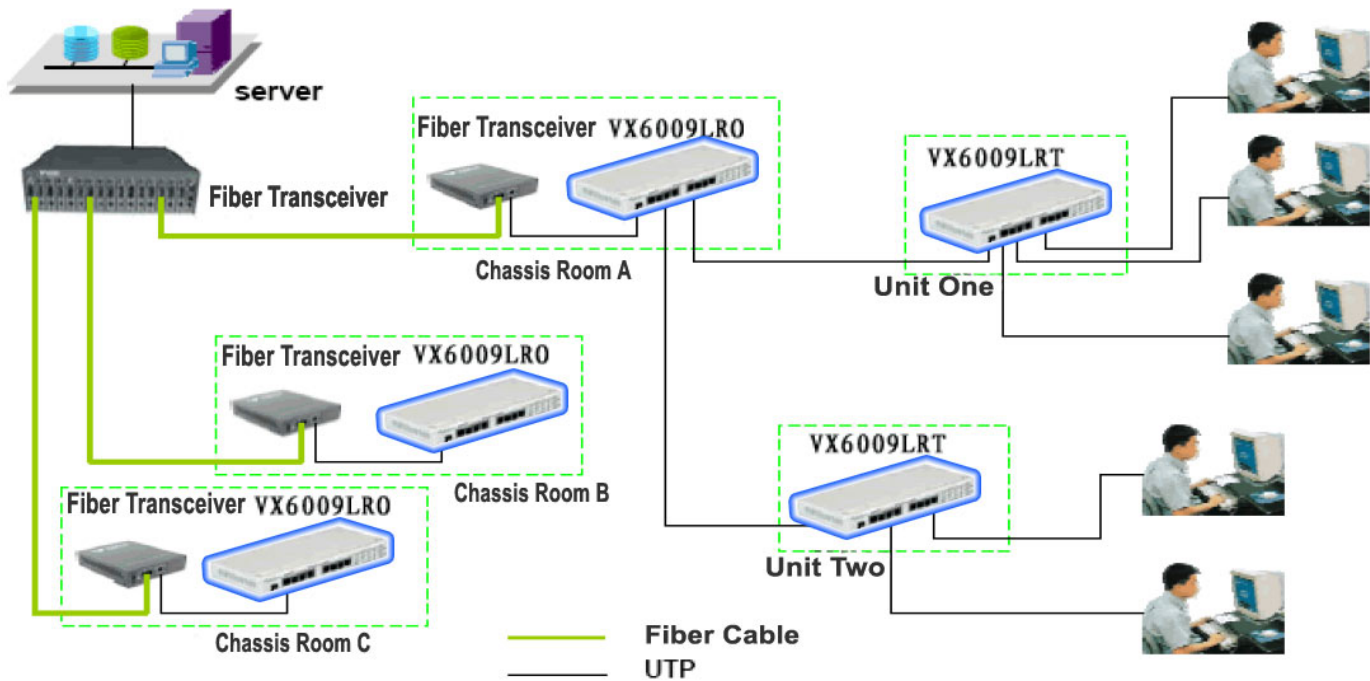
Paojiang Industry Park,
Shaoxing, Zhejiang
312071, P.R. China

Phone: +86 575-8912186

Fax: +86 575-8034496

Email: vickif@versatek.cn

Application



US-International Headquarter:

4711 Chino Ave,
Chino, CA 91710

Web: www.versatek.com

Phone: (909) 591-8891

Fax: (909) 591-6962

Email: sales@versatek.com

China Headquarter:

Paojiang Industry Park,
Shaoxing, Zhejiang
312071, P.R. China

Phone: +86 575-8912186

Fax: +86 575-8034496

Email: vickif@versatek.cn