

PS-730 Intelligent Traffic System Gateway is a managed router with dual WAN support. The PS-730 provides additional bandwidth to the network by using its dual WAN port technology. With implementation of the Automatic Line Back-up, and Traffic Distribution, the PS-730 makes full use of its dual WAN ports. The PS-730 also supports Uninterrupted Internet Services, along with 100% embedded hardware system, which provides any network with excellent stability. The built in State Full Inspection Firewall of PS-730 also provides the network with great protection. The clear web interface of PS-730 makes setting up and management a breeze. With the Auto-Negotiation, and Auto MDIX, Ethernet devices are connected as soon as plugging in the Ethernet cables. The PS-730 provides the most cost-efficient, and effective solution for any Internet managing services. Easy setup, effortless management, high performance, and excellent stability makes the PS-730 the perfect device for any network.

Features

Performance

- Max 100Mbps L2 switching data rate
- Max 45Mbps L3 routing data rate

IP Routing

- Loopback Interface
- Auto Load Balancing
- Manual Load Balancing
- IP multicasting

Routing Protocols

- Static Routing

Packet Classification

- Source/Destination IP address
- Source/Destination port number
- Network Protocol

Access Control

- Policy Rules with Inbound/Outbound Traffic
- Accept/Drop via Policy Rules
- Protection from DoS (Denial of Service) attacks



QoS

- Rate limit per address or per flow

Traffic Monitoring

- IP hosts status monitoring
- Bandwidth control of the IP hosts
- Web-based monitoring

Security Management

- DOS protection
- User authentication through Third party website or Internet control

System Management

- CLI: Console, Telnet
- SNMP: MIP-II
- Sys logging
- DHCP
- NAT
- PPPoE

Device Management

- LAN device status and port mapping

Forwarding

- SMPT Forwarding

Processor

- RISC 150Mhz

System Memory

- 64MB SDRAM, 4MB Flash Memory

Network Interfaces

- WAN Port: 2 x 10/100TX ports with Auto-Negotiation and Auto MDIX.
- LAN port: 4 x 10/100TX ports with Auto-Negotiation and Auto MDIX.

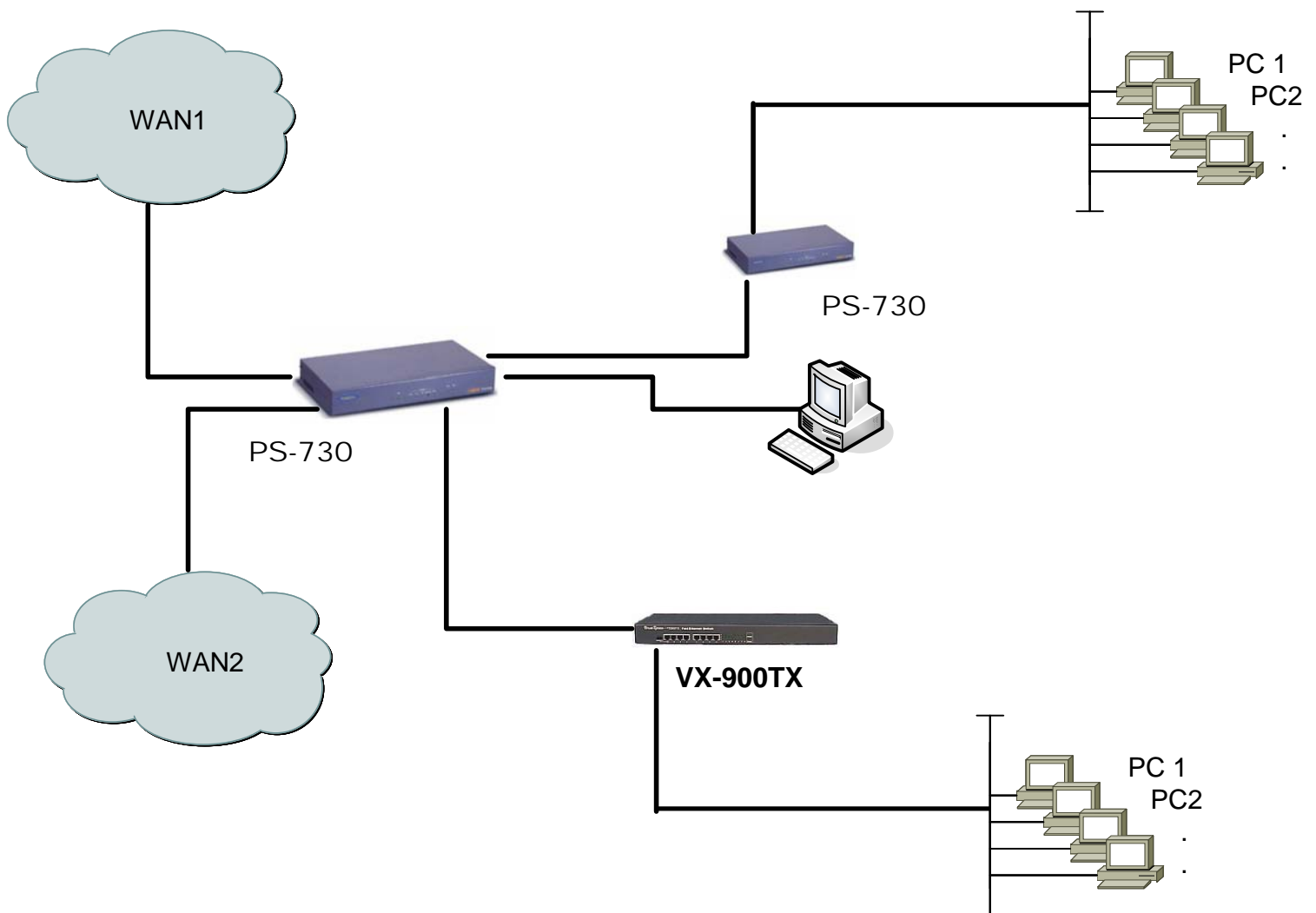
DIMENSION:

- Width: 8.50in / Depth: 5.50in / Height: 1.35in
- Temperature: 0 to 50°C
- Relative Humidity: 10 to 90%
- Power: AC 90~260V, 50-60HZ

Environmental Standards Compliance & Certification

- Safety: MIC
- Emission & Immunity: MIC

Application:



US-International Headquarter:

4711 Chino Ave,
Chino, CA 91710

Web: www.versatek.com

Phone: (909) 591-8891

Fax: (909) 591-6962

Email: sales@versatek.com

China Headquarter:

Paojiang Industry Park,
Shaoxing, Zhejiang

312071, P.R. China

Phone: +86 575-8912186

Fax: +86 575-8034496

Email: vickif@versatek.cn