

**VersaXpress-200F** is a Fast Ethernet Media Converter that translates between 100BASE-TX copper and 100BASE-FX fiber cabling. It extends network data transmission distances beyond the 100 meters limitation distances of copper wire up to 60 kilometers by using Single Mode fiber optic model. The VersaXpress-200F 100BASE-TX-to-100BASE-FX Media Converter is typically used to connect Fast Ethernet devices, such as 100Base-TX Hubs, at long distance. The VersaXpress-200F will Connect servers or workstations located up to 60 kilometers from each other.

## Specifications:

### FX Range

Multi Mode	- 2Km
Single Mode	- 20Km, 40Km, 60Km

### LED Display

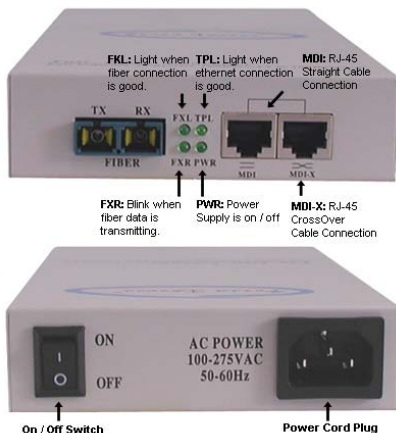
Power LED	PWR: Power Supply is on/off.
TX LED	TPL: Light when Ethernet connection is good.
FX LED	FXL: Light when fiber connection is good. FKR: Light when fiber data is transmitting.

### Physical

Dimensions	- 6(L)in x 4.5(W)in x 1.25(H)in
Weight	- 1 lb

### System

Power Supply	-100-275VAC, 50-60Hz
Humidity	- 5% to 95% non-condensing
Temperature Range	- 0°C to 60°C - Operating - 10°C to 85°C - Storage




## VX-200F Media Converter

### Features:


- Converts between Ethernet UTP and fiber optic cabling.
- Support Two 100Base-TX RJ45 shielded/UTP port with MDI/MDI-X eliminates the need for cross-over LAN cables.
- Support One 100Base-FX fiber port (Single-Mode or Multi-Mode).
- Transmission distance up to 2Km (Multi-Mode) or 60Km (Single-Mode).
- Complies with IEEE802.3u 100BASE-TX/FX protocols.
- Supports wide range of fiber options.
- - SC, ST, FC / Multi-Mode, Single-Mode
- Low power consumption.
- Internal AC Power.

## Order Info :

### VX200F : Fiber Optic Module / Multi-Mode Converter 100Base-TX to 100Base-FX Fast Ethernet

Image	Part No	Description
	<b>VX-200F-M1222-2</b>	(1) RJ-45, 100Base-TX (1) Dual SC, 100Base-FX (MM/2Km)
	<b>VX-200F-M1223-2</b>	(1) RJ-45, 100Base-TX (1) Dual SC, 100Base-FX (MM/2Km)

### VX200F : Fiber Optic Module / Single-Mode Converter 100Base-TX to 100Base-FX Fast Ethernet

Image	Part No	Description
	<b>VX-200F-S1222-20</b>	(1) RJ-45, 100Base-TX (1) Dual SC, 100Base-FX (SM/20Km)
	<b>VX-200F-S1223-20</b>	(1) RJ-45, 100Base-TX (1) Dual SC, 100Base-FX (SM/20Km)
	<b>VX-200F-S1222-40</b>	(1) RJ-45, 100Base-TX (1) Dual SC, 100Base-FX (SM/40Km)
	<b>VX-200F-S1223-40</b>	(1) RJ-45, 100Base-TX (1) Dual SC, 100Base-FX (SM/40Km)
	<b>VX-200F-S1222-60</b>	(1) RJ-45, 100Base-TX (1) Dual SC, 100Base-FX (SM/60Km)
	<b>VX-200F-S1223-60</b>	(1) RJ-45, 100Base-TX (1) Dual SC, 100Base-FX (SM/60Km)

US-International Headquarter:

4711 Chino Ave,  
Chino, CA 91710

Web: [www.versatek.com](http://www.versatek.com)

Phone: (909) 591-8891

Fax: (909) 591-6962

Email: [sales@versatek.com](mailto:sales@versatek.com)

China Headquarter:

Paojiang Industry Park,  
Shaoxing, Zhejiang  
312071, P.R. China

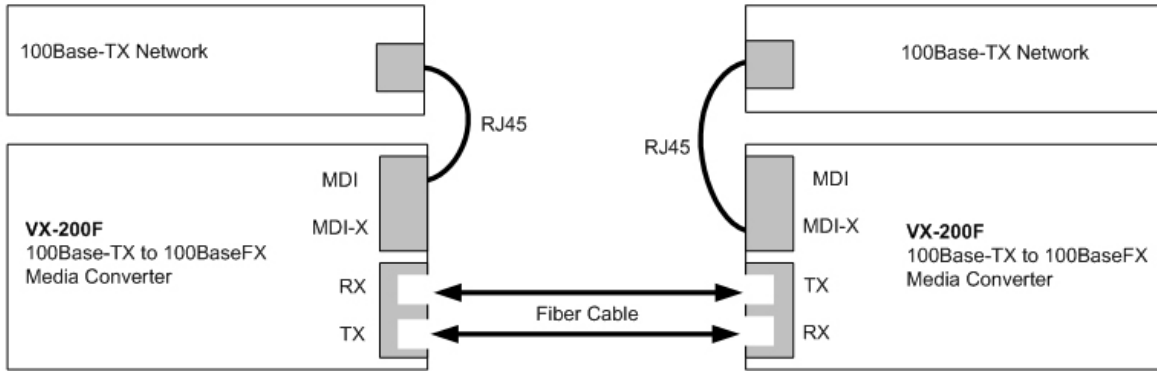
Phone: +86 575-8912186

Fax: +86 575-8034496

Email: [vickif@versatek.cn](mailto:vickif@versatek.cn)

## Applications:

Model: **VX-200F**



### US-International Headquarter:

4711 Chino Ave,  
Chino, CA 91710

Web: [www.versatek.com](http://www.versatek.com)

Phone: (909) 591-8891

Fax: (909) 591-6962

Email: [sales@versatek.com](mailto:sales@versatek.com)

### China Headquarter:

Paojiang Industry Park,  
Shaoxing, Zhejiang

312071, P.R. China

Phone: +86 575-8912186

Fax: +86 575-8034496

Email: [vickif@versatek.cn](mailto:vickif@versatek.cn)