

E29 series

Outdoor 30/60/95W PoE Extender



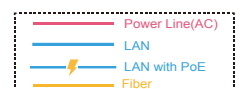
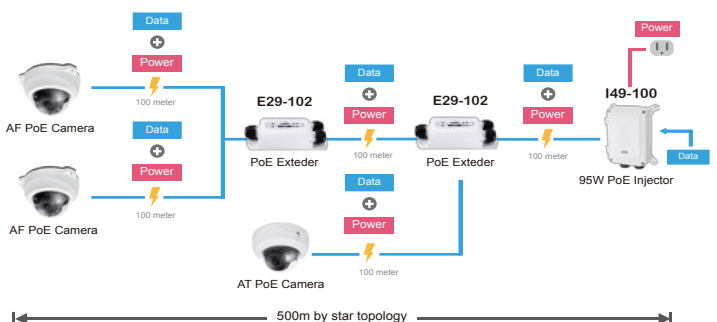
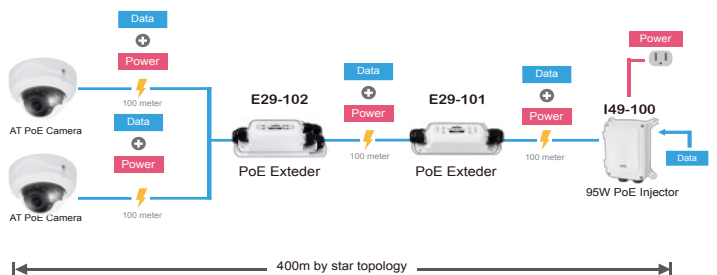
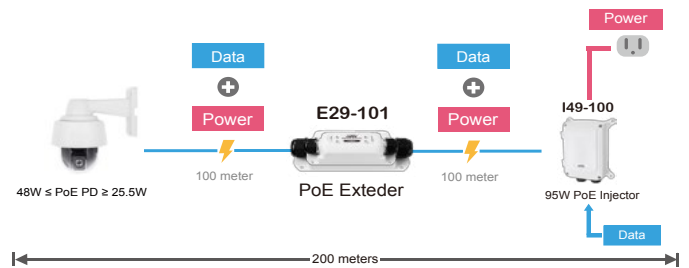
The E29 series is IP67-rated & harden-graded PoE Extender, operating temperature from -40°C ~60°C. It's ideal for harsh outdoor environment where two units of E29 can be daisy-chain to prolong range of PoE devices such as PoE cameras, wireless APs reaching up to 300m from end to end or up to 500m by star topology.

No power adapter required, E29 PoE Extender is powered by PoE Injector, Middle-Span Hub, or PoE switch over one networking cable extending Ethernet range depending on PD's power consumptions and PSE's power budget per port.

Features

- Saves costs of re-wiring and add-on Ethernet switches
- Plug-and-Play installation
- 6KV surge protection
- Drives the reach beyond restricted 100m Ethernet distance
- Supported PSEs providing 95W/60W/30W
- Daisy-chain 2 units of E29-101 reaching 300m from end to end
- Daisy-chain 2 units of E29-102 reaching 500m by star topology
- Complete unit does not require power adapter
- Extends range up to 200m for outdoor speed dome requiring 48W
- IP67 / IK10



Applications



Technical Specifications -Hardware

	E29-101	E29-102
Networking Specifications		
Total Fast Ethernet Ports	2	3
Mac Table	2 k	2 k
Bandwidth	Max. 100 Mbps	Max. 100 Mbps
Switching Capacity	1 Gbps	1 Gbps
Auto-MDI/MDI-X, Auto-Negotiation	Supported	Supported
Power Specifications		
Extension Distance	2 Units, Daisy-chain Installation Up to 300M Extension (No Local Power Required)	2 Units, Daisy-chain Installation Up to 500M Extension (No Local Power Required)
PD Input Power	50~57VDC, max. 72W	50~57VDC, max. 72W
PSE Output Power	44~55VDC, max. 70W	44~55VDC, max. 70W
PD Power Pin Assignment	1/2 (+), 3/6 (-); 4/5 (+), 7/8 (-)	1/2 (+), 3/6 (-); 4/5 (+), 7/8 (-)
PSE Power Pin Assignment	1/2 (+), 3/6 (-); 4/5 (+), 7/8 (-)	1/2 (+), 3/6 (-); 4/5 (+), 7/8 (-)
PD Fast Ethernet (RJ45)	1	1
PSE Fast Ethernet (RJ45)	1	2
PSE Power On/Off Dip Switch	Support	Support
Surge Protection /each PoE Port	6KV	6KV
Mechanical Specifications		
Dimensions (WxHxD)	157 x 55.8 x 39.75 mm	167.5 x 72.8 x 39.8 mm
LED Indicators	Power, LAN, PoE	Power, LAN, PoE
Weight	0.3KG	0.36KG
Environmental Specifications		
Weather Rating	IP67	IP67
Vandal Proof	IK10	IK10
Operating Temperature	-40°C ~ 60°C (-40°F ~ 140°F)	-40°C ~ 60°C (-40°F ~ 140°F)
Storage Temperature	-40°C ~ 85°C (-40°F ~ 185°F)	-40°C ~ 85°C (-40°F ~ 185°F)
Operating Humidity	10% to 90% non-condensing	10% to 90% non-condensing
Certifications		
EMC	CE, FCC, VCCI, C-Tick	CE, FCC, VCCI, C-Tick
Surge	IEC-61000-4-5	IEC-61000-4-5

Ordering Information

PoE Extenders			
	<p>E29-101</p> <ul style="list-style-type: none"> Outdoor 1-Port PoE Extender 		<p>E29-102</p> <ul style="list-style-type: none"> Outdoor 2-Port PoE Extender