



H80-044-30-150

H80-084-30-250

H80-044-60-250

Outdoor PoECam L2+ Managed PoE Switch

Quick Installation Guide

INTRODUCTION

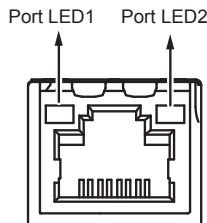
The H80 series is a 4/8 port 10/100/1000BaseT PoE/UPoE switch capable of feeding 15.4/30W or 15.4/30//60W (54V max. per port) power to Power over Ethernet (PoE) devices. It comes with another 2x GbE TP port + 2xGbE SFP port or 4xGbE SFP port. The switch is capable of a total of 120W/240 Watts PoE power budget.

PACKAGE CONTENTS

* 1x PoE switch	* 1x Quick Installation Guide	* 1x Console cable
* 1x T25 L-wrench, 4x wall anchors		

⚠ IMPORTANT:

1. Install the PoE switch in a ventilated and dry place that is free of electromagnetic source, vibration, moisture, and dust.
2. Make sure the ventilation openings on the switch are not blocked.
3. Use CAT5 or 5e UTP/STP cables.
4. AC input (100~240V/AC, 50~60Hz), for a max. consumption of 150W/250W.



DEFAULTS

IP Address	192.168.1.1
Subnet Mask	255.255.255.0
User Name	admin
Password	admin

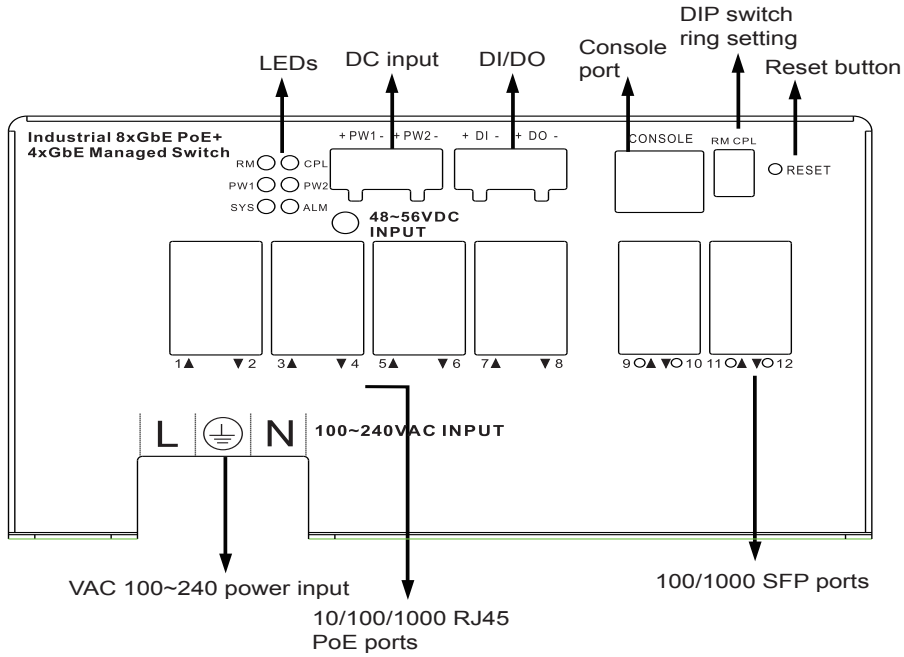
LED DEFINITIONS

Power1	Green ON	Power is on and normal.
	Green Off	The switch is not receiving power.
Power2	Green ON	Power is on and normal.
	Green Off	The switch is not receiving power.
RJ45 ports LED1	Green ON	Port is enabled and link established with a device at the 1000Mbps speed.
	Green Blinking	Port is transmitting and receiving data at the 1000Mbps speed.
	Amber ON	Port is enabled and link established with a device at the 10/100Mbps speed.
	Amber Blinking	Port is transmitting and receiving data at the 100Mbps speed.
	Off	No active network connection. The port may have been disabled through user interface.
RJ45 ports LED2	Green ON	The port is enabled and supplying power to connected device.
	Amber ON	An abnormal state, such as overload status has occurred.
	Off	The port has no active network cable connected, or it is not connected a PoE PD device. Otherwise, the port may have been disabled through the switch user interface.
SFP ports	Green ON	Port is enabled and link established with a device at the 1000Mbps speed.
	Green Blinking	Port is transmitting and receiving data at the 1000Mbps speed.
	Amber ON	The port is enabled and established a link to connected device, and the connection speed is 100Mbps.
	Amber Blinking	Port is transmitting and receiving data at the 100Mbps speed.
	Off	No active network connection. The port may have been disabled through user interface.
System	Green On	Switch is ready
	Green Off	Switch is not ready
Alarm	Red On	An abnormal state, such as that related to temperature, voltage, or DC power has been detected.
	Red Off	The switch is operating normally.

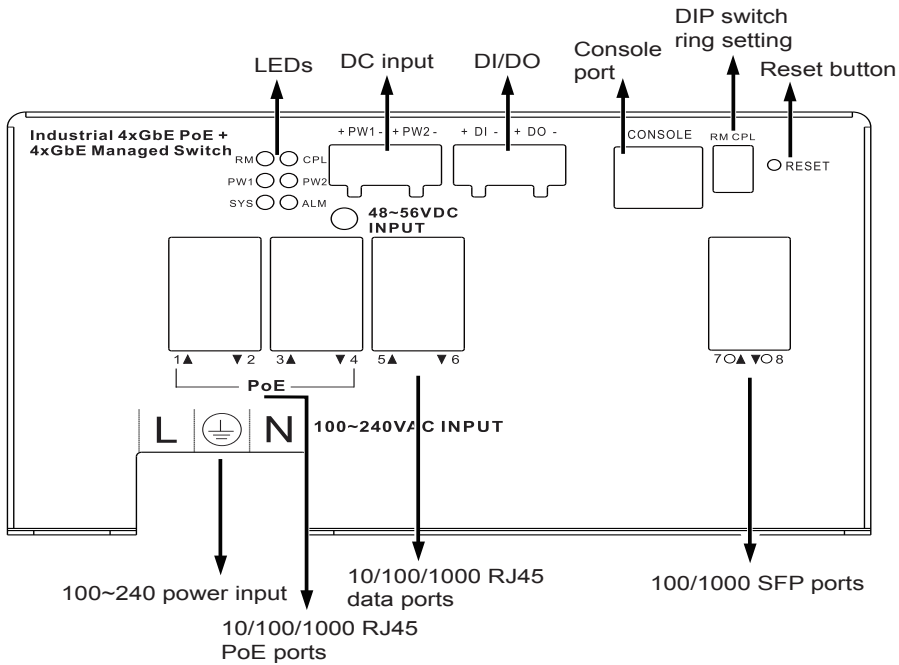
RESET & RESTORE

Reset the switch	2 ~ 7 seconds	Blinking Green	All LEDs off
Restore to defaults	7 ~ 12 seconds	Blinking Green	All LEDs ON

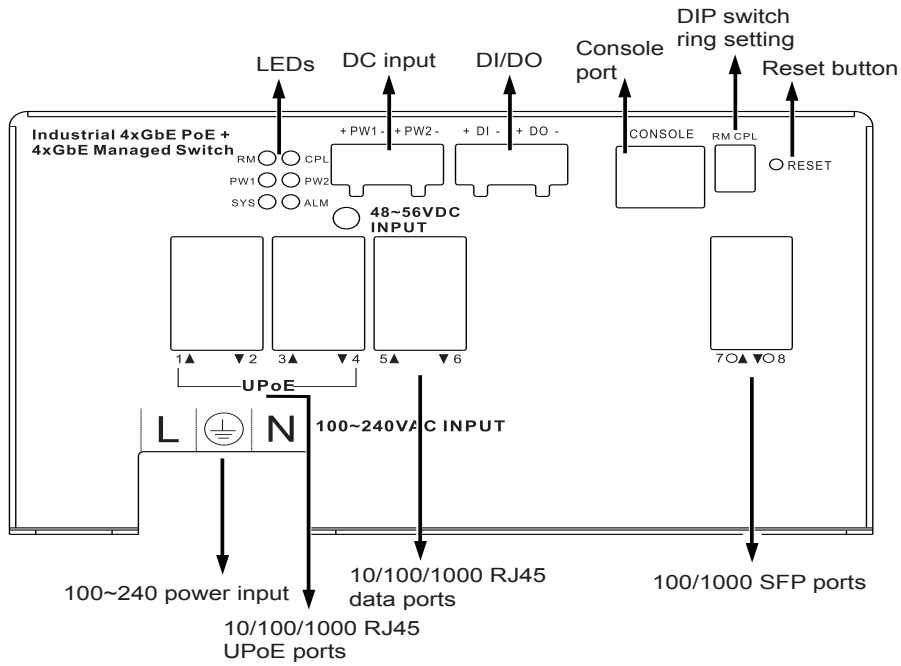
H80-084-30-250 CONNECTION



H80-044-30-150 CONNECTION

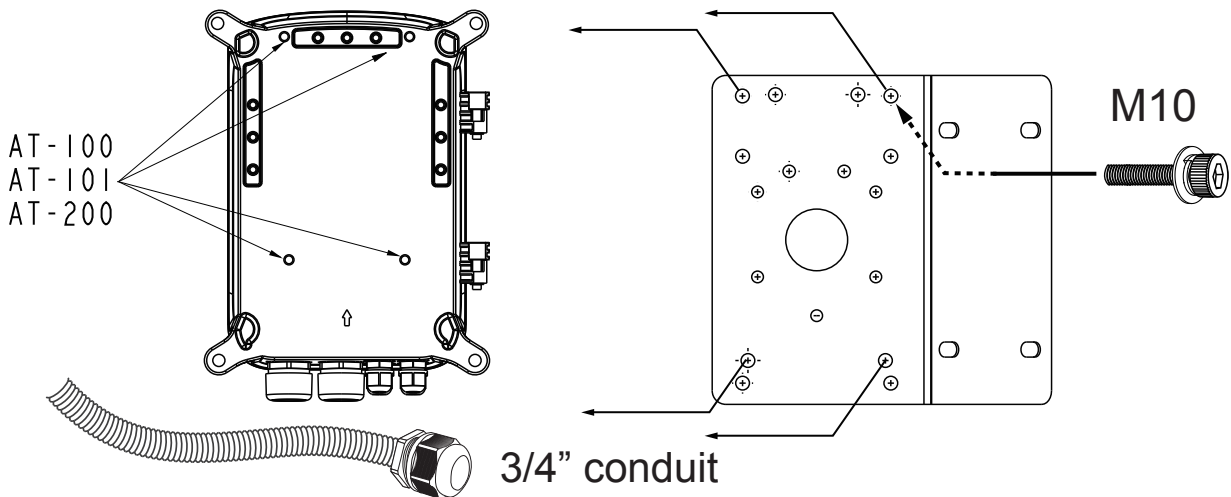


H80-044-60-250 CONNECTION

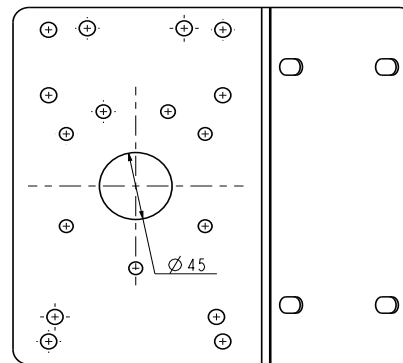
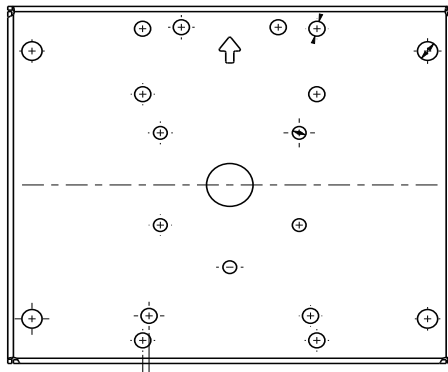
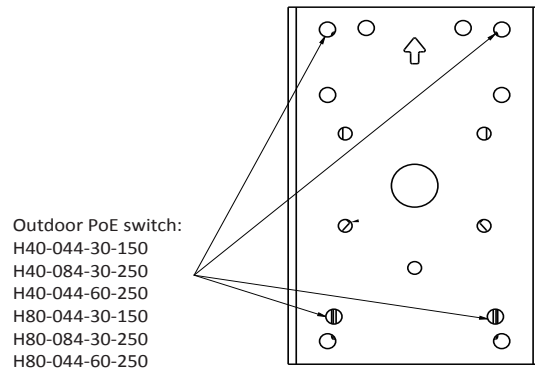


INSTALLATION

Use the included M10 hex socket screws to secure the power box to a pole-mount or corner mount bracket.



The mounting hole definition is illustrated below. The same mounting hole pattern apply to all pole-mount and corner-mount brackets.



All specifications are subject to change without notice.
Copyright © 2017 AETEK INC. All rights reserved.