

P20 series

Professional 24VAC Camera Housing



P2000-I / P2000-AI



P2000-IW / P2000-AIW



AETEK, a professional camera housing manufacturer, provides a series of rugged outdoor surveillance housings which are compatible with most of today's IP and analog box cameras. The camera housings are constructed from cast aluminum to meet IP66/IP68, and IK10 standards. The housing can even support cameras equipped with wide-angle lenses or long-distant remote focus lenses.

The P20 series supported 24VAC power input are professional models, all of which are equipped with window heater & blower. Additionally, more features such as a side-opening alarm switch, an adjustable sunshield, and an ITB (Illuminator Touch Board) concealing the wiring for optional vari-IR illuminator let the P20 applied onto long-ranged IP surveillance day & night.

Some models also offer a built-in wiper or -40°C cold start.

Features

- IP66 standard (P2000-IW, P2000-AIW)
- IP68 standard (P2000-I, P2000-AI)
- IK10 impact rated cast aluminum housing
- Heater & blower enable demisting / deicing for window
- Adjustable sunshield
- Side-opening alarm switch
- ITB (Illuminator Touch Board) snaps IR LEDs directly to the housing & conceals the wiring
- Accommodates box cameras equipped with wide-angle lenses & long-distance remote focus lenses (8-80 mm)
- Built-in wiper (P2000-IW, P2000-AIW)
- Camera heater supports cold start at -40°C (P2000-AI, P2000-AIW)



P2000-I Camera housing + VR-481 VAIR LEDs + BK-101 Wall mount bracket concealing cable



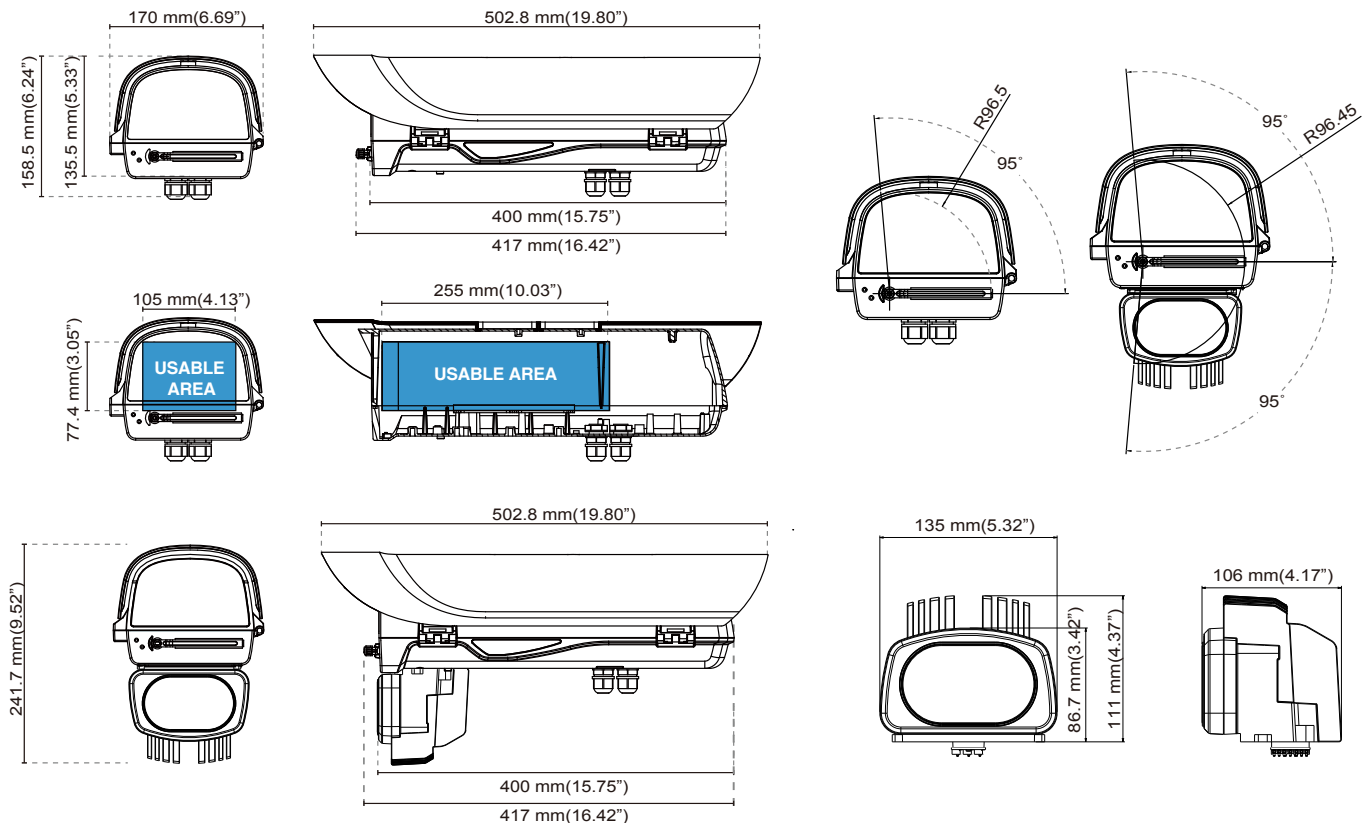
AXIS Q1635+ 8 – 80mm varifocal lens

Specifications

	P2000-I	P2000-AI	P2000-IW	P2000-AIW
Electrical Specifications				
Input Voltage	24VAC	24VAC	24VAC	24VAC
12VDC Output Power Budget	30W	30W	30W	30W
24VAC Output Power Budget	80W	80W	80W	80W
Power Consumption	Window Heater: 10W Blower: 2W Camera: 6 ~ 8W	Window Heater: 10W Cold Start Heater: 30W Blower: 2W Camera: 6 ~ 8W	Window Heater: 10W Blower: 2W Camera: 6 ~ 8W Wiper: 6 W	Window Heater: 10W Cold Start Heater: 30W Blower: 2W Camera: 6 ~ 8W Wiper: 6W
Optional VAIR LEDs Power Consumption	VR-060: 6W VR-120: 12W VR-241: 24W VR-481: 48W	VR-060: 6W VR-120: 12W VR-241: 24W VR-481: 48W	VR-060: 6W VR-120: 12W VR-241: 24W VR-481: 48W	VR-060: 6W VR-120: 12W VR-241: 24W VR-481: 48W
Optional 10L Water Tank & Pump for P2000-IW & P2000-AIW	-	-	TP-100: 12W	TP-100: 12W
Environmental Specifications				
Operating Temperature*	20°C ~ 65°C (-4°F ~ 149°F) -20°C ~ 50°C (w/IR LEDs)	-50°C ~ 65°C (-58°F ~ 149°F) -50°C ~ 50°C (w/IR LEDs) Cold Startup: -40°C (-40°F)	20°C ~ 65°C (-4°F ~ 149°F) -20°C ~ 50°C (w/IR LEDs)	-50°C ~ 65°C (-58°F ~ 149°F) -50°C ~ 50°C (w/IR LEDs) Cold Startup: -40°C (-40°F)
Window Heater ON / OFF	≤ 20°C (68°F) ON ≥ 30°C (86°F) OFF	≤ 20°C (68°F) ON ≥ 30°C (86°F) OFF	≤ 20°C (68°F) ON ≥ 30°C (86°F) OFF	≤ 20°C (68°F) ON ≥ 30°C (86°F) OFF
Cold Start Heater ON/OFF	-	≤ 0°C (32°F) ON ≥ 5°C (41°F) OFF	-	≤ 0°C (32°F) ON ≥ 5°C (41°F) OFF
Blower ON / OFF	≥ 35°C (95°F) ON ≤ 25°C (77°F) OFF	≥ 35°C (95°F) ON ≤ 25°C (77°F) OFF	≥ 35°C (95°F) ON ≤ 25°C (77°F) OFF	≥ 35°C (95°F) ON ≤ 25°C (77°F) OFF
Weather Rating	IP68	IP68	IP66	IP66
Vandal Proof	IK10 Impact Rated on Cast Aluminum Housing	IK10 Impact Rated on Cast Aluminum Housing	IK10 Impact Rated on Cast Aluminum Housing	IK10 Impact Rated on Cast Aluminum Housing
Mechanical Specifications				
Body Construction	Cast Aluminum	Cast Aluminum	Cast Aluminum	Cast Aluminum
Body & Sunshield Weight	2.8 kg (6.17 lb)	2.8 kg (6.17 lb)	2.9 kg (6.39 lb)	2.9 kg (6.39 lb)
Cable Grants	M16 x 4	M16 x 4	M16 x 4	M16 x 4

* Inside camera specification must be within housing's operating temperature.

Dimensions





P20 series Matrix Table

	24VAC in	PoE 30W in	PoE 30/60/95W in	Window Heater	Cold Start Heater (at -40°C)	Adjustable Sunshield	Blower	ITB for Optional 6W/12W/24W/48W VAIR IR	Side-Opening Alarm	Wiper	IP66	IP68
P2000-I	✓	-	-	✓	-	✓	✓	✓	✓	-	-	✓
P2000-AI	✓	-	-	✓	✓	✓	✓	✓	✓	-	-	✓
P2000-IW	✓	-	-	✓	-	✓	✓	✓	✓	✓	✓	-
P2000-AIW	✓	-	-	✓	✓	✓	✓	✓	✓	✓	✓	-

Accessories

Brackets

Wall Mount		Ceiling Mount		Standing Mount
				
BK-101 Wall Mount Bracket Safety Wire Concealing Cable	BK-102 Wall Mount Bracket	BK-200 J-type Ceiling Mount Bracket	BK-201 Flexible J-type Ceiling Mount Bracket	BK-300 Standing Mount Bracket

Adapters

Pole Mount		Corner Mount	Fit	Wall Mount	Fit
					
AT-100 Pole Mount Adapter	AT-101 Pole Mount Adapter	AT-200 Corner Mount Adapter	BK-101		
					
			BK-102		
					
				JB-100 Junction Box	AT-200

Junction Box

Power Boxes

Outdoor Power Box	Outdoor Power Box / Junction Box
	
PB-024-1AC Outdoor Power Box • IP67/IK10 • 115VAC / 230VAC Input • 24VAC/6A Output • -40°C ~ 60°C	PB-024-2AC Outdoor Power/Junction Box • IP67/IK10 • 115VAC / 230VAC Input • 24VAC/6A Output • -40°C ~ 60°C

VAIR IR LEDs

VAIR IR LEDs	
	VR-060 • Snap Vair 10~40° IR LED, 6W VR 120 • Snap Vair 10~40° IR LED, 12W
	VR-240 • Snap Vair 10~40° IR LED, 24W VR-241 • Snap Vair 10~30° IR LED, 24W VR-480 • Snap Vair 10~40° IR LED, 48W VR-481 • Snap Vair 10~30° IR LED, 48W

Water Tank & Pump

Water Tank & Pump

TP-100 • 10L Water Tank & Pump