

# XC10-164-750

## EPoC RX Switch

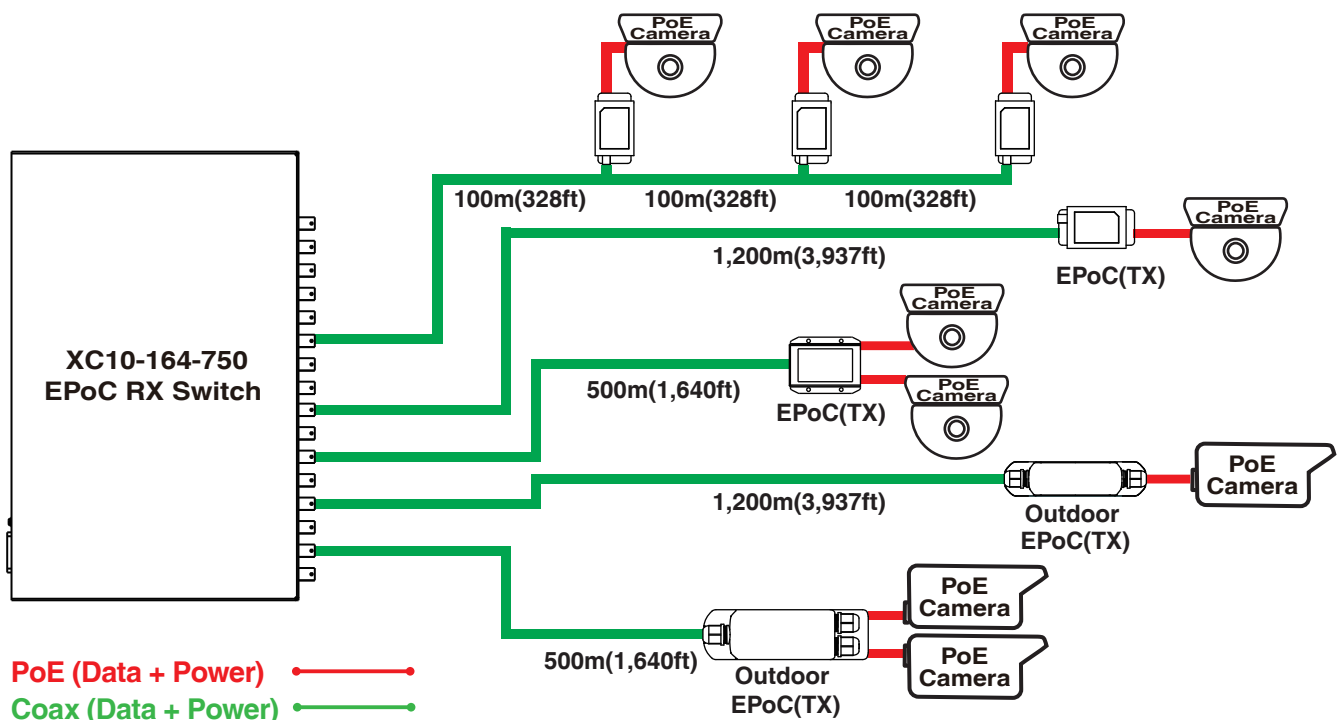


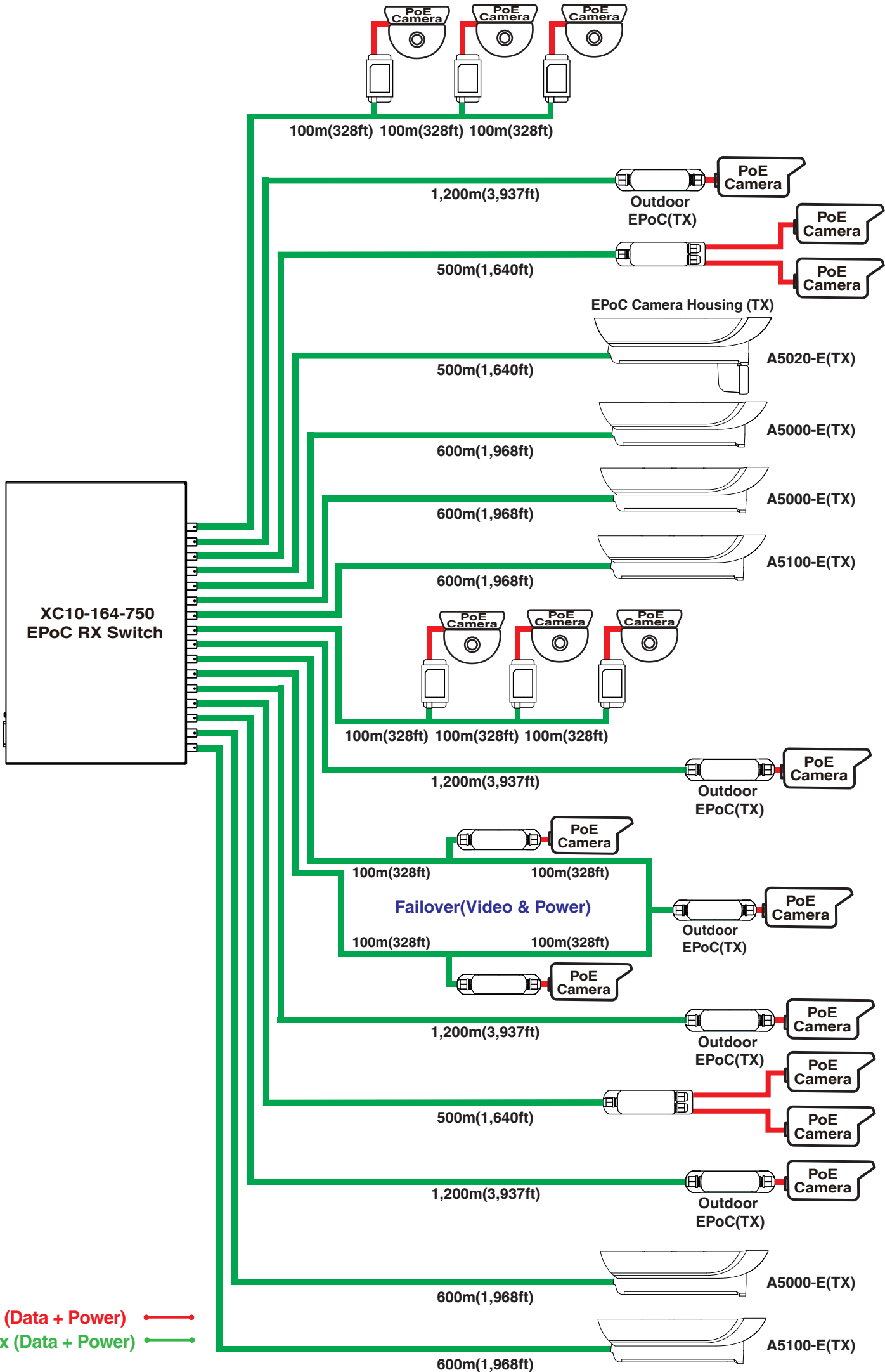
XC10-164-750 is an EPoC (Ethernet & Power over Coax) RX switch equipped with 16-ports EPoC, 2-port Gigabit LAN , 2-port Gigabit SFP, and the internal 750w power supply. This cutting-edge model is a long-reach PoE solution providing data & power over single coaxial cable up to 1,200m (3,937ft) for multi-brand of PoE IP camera. Besides long range PoE solution, XC10-164-750 is also often used to upgrade legacy of CCTV to IP surveillance without changing existing coaxial cable infrastructure.

### Features

- Transmits IP data & PoE up to 1,200m (3,937ft)
- 750W power budget for 16 EPoC ports
- 6KV surge protection for EPoC port
- 19" rack mont bracket
- Sixteen EPoC ports & Four GbE LAN port
- Plug-and-Play deployment PoE IP migration or PoE extension

### Applications





# Specifications

## Interface/Distance

|                           |                           |
|---------------------------|---------------------------|
| Coaxial BNC               | 75 ohm x 16               |
| Gigabit Ethernet RJ45     | 2                         |
| Gigabit Ethernet SFP      | 2                         |
| Transmission mode         | RX mode                   |
| Maximum TX quantity       | 28                        |
| MAX.(Power+Data) Distance | 9.7W@1,200m(3,937 ft)     |
| Cable Type                | 75 ohm RG59/RG6/RG11 Coax |
| Bandwidth                 | 600Mbps                   |

## Power Specifications

|                                  |                                    |
|----------------------------------|------------------------------------|
| Power supply                     | Internal 750W<br>Input: 100-240VAC |
| Unit Power Consumption           | 10 watts                           |
| EPoC Output Power                | 54VDC@60W                          |
| Surge Protection /each Coax Port | Built-in 6KV                       |

## Physical Specifications

|                    |  |
|--------------------|--|
| Dimensions (LxWxH) | 440 x 290 x 44 mm (17.32x11.41x1.73")          |
| Weight             | 2kg (4.41 lb)                                  |
| Connectors         | BNCx16, RJ45x2,SFPx2<br>100-240VAC power input |
| Mounting Type      | 19" rack mount                                 |

## Environmental Specifications

|                       |                              |
|-----------------------|------------------------------|
| Operating Temperature | -10°C ~ 50°C (14°F ~ 122°F)  |
| Storage Temperature   | -20°C ~ 85°C (-28°F ~ 185°F) |
| Relative Humidity     | 5% ~ 95% non-condensing      |

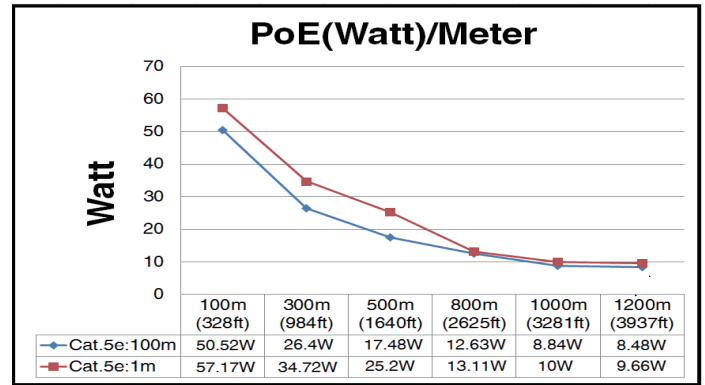
## Certifications

|        |                       |
|--------|-----------------------|
| EMC    | CE, FCC, VCCI, C-Tick |
| Safety | EN60950-1             |
| Surge  | EN61000-4-5           |

## LEDs

|      |   |
|------|---|
| LAN  | Ethernet status                             |
| PWR  | RX Switch power status                      |
| LINK | Rx Switch and EPoC TX device connect status |
| POC  | Power over Coaxial cable status             |

# Power / Distance Chart



## Related Products

### EPoC (TX)



**XE10-110-TX**  
• 1-to-1 EPoC adapter(TX)



**XE12-120-TX**  
• 1-to-2 EPoC adapter(TX)



**XE22-110-TX**  
• 1-to-1, Outdoor EPoC adapter(TX)with IP67 / IK10 / 6KV Surge protection



**XE22-120-TX**  
• 1-to-2, Outdoor EPoC adapter(TX) with IP67 / IK10 / 6KV Surge protection

### EPoC Camera Housing (TX)



**A5000-E**  
• EPoC Camera Housing



**A5100-E**  
• EPoC Camera Housing  
• Germanium window



**A5020-E**  
• EPoC Camera Housing with IR illuminator (MAX: 50m)